

# PPS PUMP RANGE

VERTICAL, **SEAL-LESS**, THERMOPLASTIC, CENTRIFUGAL PUMPS



**MANUFACTURED  
IN THE UK**

∞ CAPACITY < 250 M<sup>3</sup>/HR

∞ HEAD < 48 Metres

∞ COLUMN LENGTH < 4.5 Metres

∞ EXTERNAL FLUSHING AVAILABLE

∞ FLEXIBLE TO YOUR DESIGN REQUIREMENTS

Part of the  
**VERTICAL PLASTIC  
Pump Range**



VSL



CSS



PPS

## ∞ VERTICAL OVERVIEW

The vertical range are proven to stand the test of time offering solid performance constantly throughout the pumps lifetime, minimising both operational costs and maintenance costs whilst keeping your process running efficiently and reliably.

To ensure that we supply you with a pump that will last in the harshest of environments, pumps are available in a variety of materials including polypropylene, PVC, PVDF and 316 stainless steel. Every plastic vertical pump in our range is designed and manufactured in the UK so we can tailor the pump to your exact requirements – whether that be a particular column length, mounting plate shape or outlet position. Usually with very little difference in price of lead time compared to a standard pump.

The vertical range are suitable for all types of applications, including metal treatment, tank emptying, transfer, re-circulation and effluent treatment amongst many other corrosive duties.

## ∞ PPS PUMP OVERVIEW

The PPS plastic vertical pump range is the number one choice in the industry for efficient, heavy duty and reliable pumps at a competitive price. The PPS ranges are rigid and vibration free, capable of being installed for many years of trouble free service.

The wetted parts are fully corrosion resistant and machined from solid plastics. The PPS range features suspension systems with integral stiffening bars to prevent longitudinal movement. A feature of the PPS range is the ability to adjust the impeller gap from above the mounting plate, without having to remove the pump from the sump or tank.

The stabilising PTFE and high alumina ceramic bearings are usually product lubricated, however, for liquids, which contain a high degree of solids or abrasives, external flushing lines can easily be fitted.

The impeller can be either semi-open or fully closed depending upon the type of application. Radial back-vanes machined on the impeller ensure a continuous and plentiful flow to lubricate the bottom slide bearing.



**2 YEAR  
WARRANTY**



**ATEX ZONE 1/2  
CERTIFIED**



**DURABLE  
THERMOPLASTIC**



**CORROSION  
RESISTANCE**



**NO OBSOLETE  
PARTS POLICY**



**FLEXIBLE TO  
DESIGN SPEC**



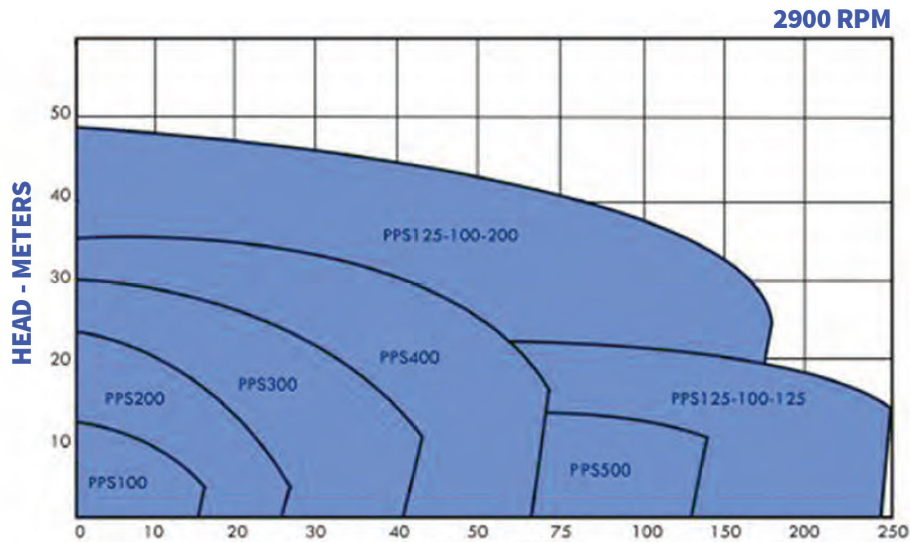
**MANUFACTURED  
IN THE UK**

# PPS PUMP RANGE

VERTICAL, **SEAL-LESS**, THERMOPLASTIC, CENTRIFUGAL PUMPS

## ∞ PUMP RANGE CURVES

Pump curves for the PPS range of plastic vertical pumps.



## ∞ TECHNICAL SPECIFICATION

MODEL	SUCTION	DIS-CHARGE	SPEED (rpm)	RATED CAPACITY (m³/hr)	RATED HEAD (m)	MAX CAPACITY (m³/hr)	MAX HEAD (m)	MOTOR OUTPUT (kW)
PPS 100	1.5"	1.25"	2900	9	8	16	12	1.5
PPS 200	2"	1.5"	2900	15	18	25	23	2.2
PPS 300	2.5"	2"	2900	30	22	44	30	5.5
PPS 400	2.5"	2"	2900	40	30	65	35	7.5
PPS 500	3"	2.5"	1450	75	13	125	14	7.5
PPS 125/100/125	125mm	100mm	2900	150	20	250	22	18.5
PPS 125/100/200	125mm	100mm	2900	90	40	150	48	37

## ∞ NO OBSOLETE PARTS POLICY

The entire range of vertical plastic pumps come with 24 months warranty as standard (longer warranties available on request), as an assurance to your business that our pumps are quality built to stand the test of time. We take great pride in taking replacement or spares orders for pumps that were built and installed over 30 years ago.



All of our pumps come with our No obsolete parts policy, meaning if you have a Crest Pump for 40 years, we will still be able to provide you with the necessary parts or an exact replacement to minimise disruption to your process.

Our vertical pumps have been utilised by some of the largest companies in the world, including Unilever, BASF Chemicals, GlaxoSmithKline, Conocophillips, Centrica and General Electric.

# PPS PUMP RANGE

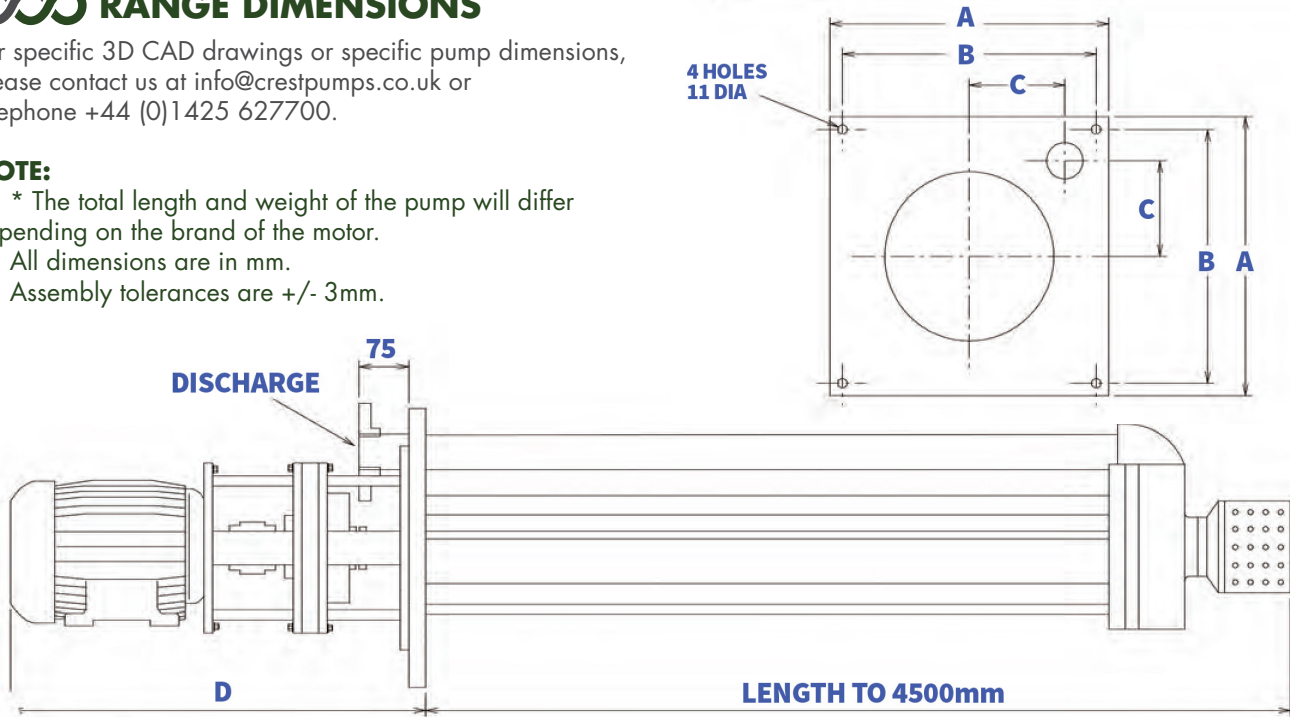
VERTICAL, **SEAL-LESS**, THERMOPLASTIC, CENTRIFUGAL PUMPS

## RANGE DIMENSIONS

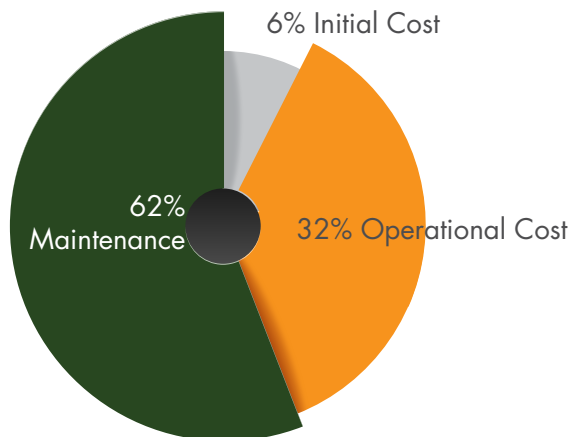
For specific 3D CAD drawings or specific pump dimensions, please contact us at [info@crestpumps.co.uk](mailto:info@crestpumps.co.uk) or telephone +44 (0)1425 627700.

### NOTE:

- \* The total length and weight of the pump will differ depending on the brand of the motor.
- All dimensions are in mm.
- Assembly tolerances are +/- 3mm.



MODEL	A	B	C	D	Suction (mm)	Dis-charge (mm)
PPS 100	330	300	113	*	1.5"	2.5"
PPS 200	500	450	135	*	2"	1.5"
PPS 300	500	450	196	*	2.5"	2"
PPS 400	500	450	196	*	2.5"	2"



## INFORMATION

### LONG TERM RELIABILITY LOWER LIFECYCLE COSTS

Crest Pumps Group has one aim... To ensure your process remains efficient and reliable through the pump's lifespan.

We aim to maximise our range reliability and ensure long-term maintainable performance to help keep the total cost of the pump ownership lower than our competitors.

In a typical process pump lifespan of 20 years, 94% of the total cost are a direct result from maintenance, operating costs and installation.

By ensuring reliability of our range we keep maintenance costs down.

[www.crestpumps.co.uk](http://www.crestpumps.co.uk)

# PPS PUMP RANGE



VERTICAL, **SEAL-LESS**, THERMOPLASTIC, CENTRIFUGAL PUMPS

## CASE STUDY - BIFFA

**“Biffa were able to overcome a design challenge by utilising the custom built PPS range from Crest Pumps Group.”**

Biffa PLC is one of the UK’s largest waste management firms, providing collections, landfill, recycling and specialist waste services.

Biffa were building a new anaerobic digestion plant in Cannock, Staffordshire. The site would accommodate over 120,000 tonnes of food waste per annum producing over 5 megawatts of electricity, enough to satisfy the demand of over 10,000 homes in the area.

Biffa enquired to Crest Pumps Group because of our ability to customise all process pumps at our UK manufacturing plant. Crest organised a site visit to the anaerobic digestion plant and worked closely with Biffa design engineers to fully understand their process difficulties.

As a result, Crest Pumps Group supplied two PPS 200 pumps with an extended column length of 4.5 meters to pump a chemical mix from a deep sump used to erode food waste into biogases. Due to the nature of the chemical mix, the PPS was built in polypropylene material to ensure long lasting corrosion resistance.

Biffa overcame design challenges by utilising the Crest pumps range of vertical pumps that are built to stand the test of time even when pumping harsh and acidic chemicals. Over the 5 years the pump has been installed, the PPS has needed little maintenance and continues to perform optimally.



## CREST VERTICAL PUMPS - UTILISED BY



Prime Fluid Management

0800 482 747

[info@primefluid.co.nz](mailto:info@primefluid.co.nz) | [primefluid.co.nz](http://primefluid.co.nz)



### CHEMICAL

Chemical applications include chemical transfer, dosing, re-circulation, filtration, fume scrubbing and tanker off-loading.



### PETROCHEMICAL

Previous petrochemical installations include high temperature, high pressure, highly viscous applications as well as chemical injection, re-circulation, off-loading and solid handling.



### WATER TREATMENT

Providing reliable process pumps to the UK’s largest waste-water treatment providers, for chemical transfer, desalination, reverse osmosis, water treatment and tanker unloading.



### PHARMACEUTICAL

Pharmaceutical companies have relied on Crest Pumps to provide pumps for ATEX requirements, chemical injection, CIP pumping, solid handling, high viscous medias and highly toxic applications.



### BIOFUELS

Fully ATEX certified process pumps for transfer of liquids in explosive atmospheres, solids handling, tanker unloading, recirculation and transfer.



### ENERGY GENERATION

Pumps supplied for various energy generation applications, including wind turbine, solar, and Vanadium redox flow batteries.



### MARINE

Centrifugal pumps supplied for various below deck applications including ballast water treatment, electrolysis, desalination and sea water cooling systems.

THERMOPLASTIC VERTICAL PUMPS

Prime Fluid Management

0800 482 747

[info@primefluid.co.nz](mailto:info@primefluid.co.nz) | [primefluid.co.nz](http://primefluid.co.nz)