



Submersible Stirrer

MX18

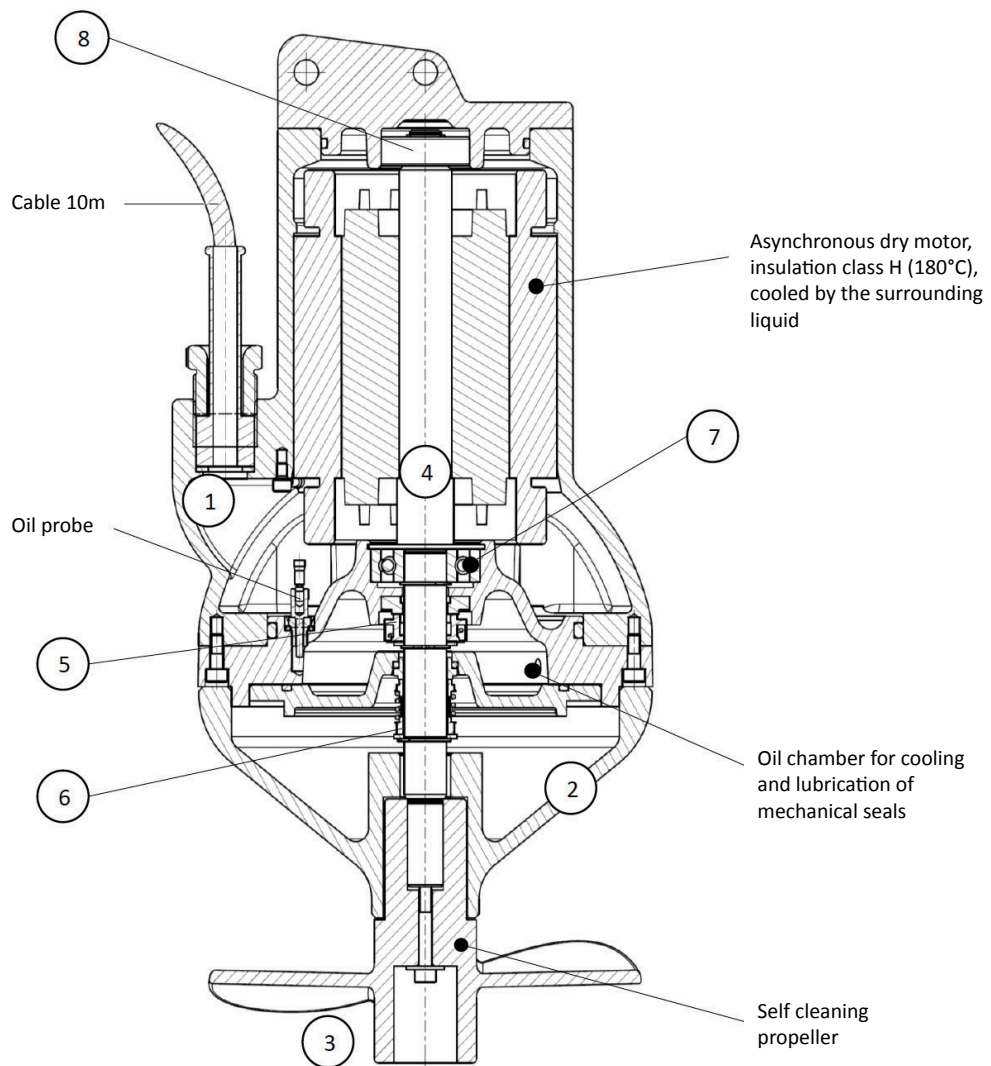


Submersible Stirrer

MX18



Construction features



No.	Description	Material
1	Motor	Cast iron
2	Cover	Cast iron
3	Self cleaning propeller	AISI 316L
4	Shaft	AISI 420B

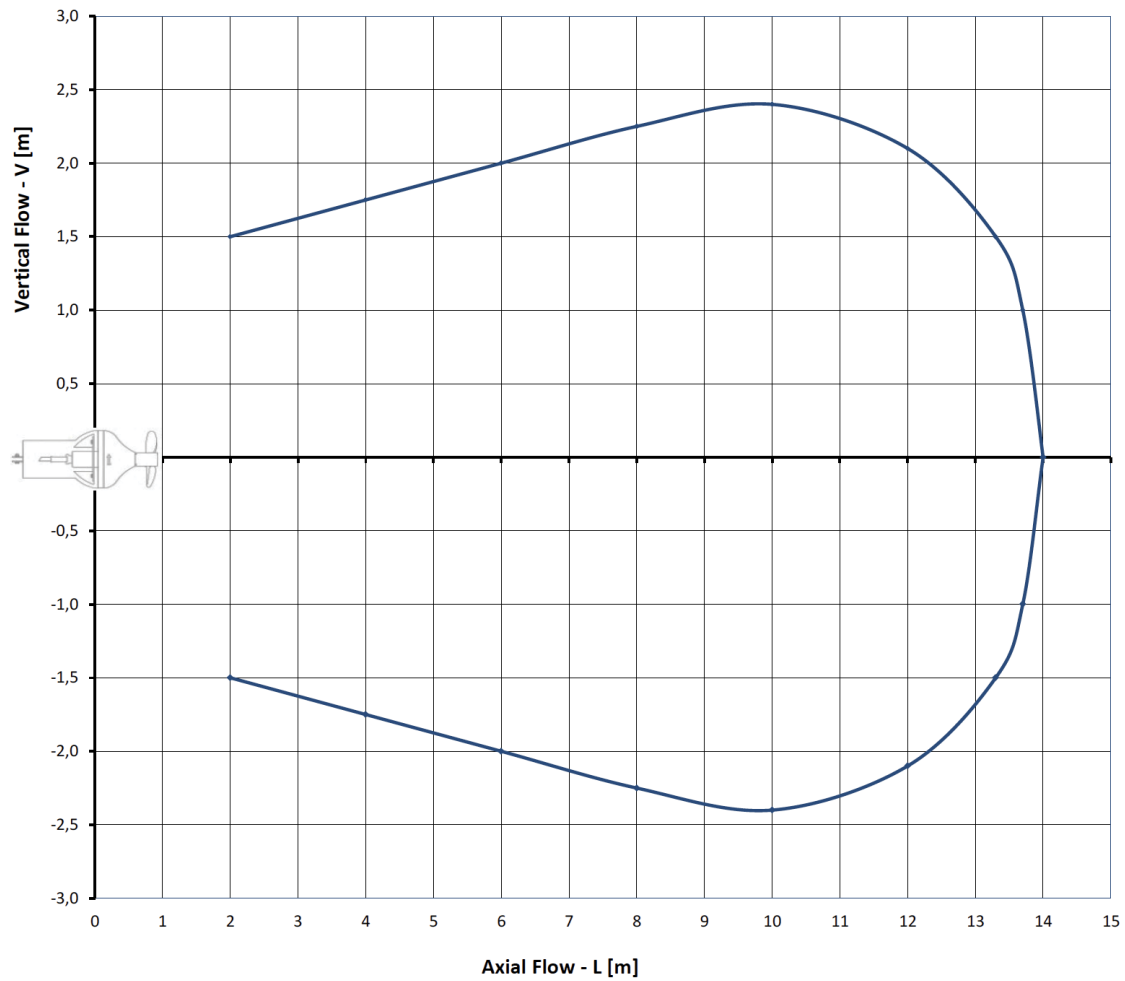
No.	Description	Material
5	Upper mech. seal	Carbon/Graphite/NBR
6	Lower mech. seal	SiC/SiC/NBR
7	Top bearing	6302 2RS
8	Lower bearing	6304 2RS

Submersible Stirrer

MX18



Influence area



Axial Flow (L)	m	2,0	4,0	6,0	8,0	10,0	12,0	13,3	14,0			
Vert. Flow (V)	m	3,0	3,5	4,0	4,5	4,8	4,2	1,5	0,0			

Specifications

Stirrer Type	MX18	Reaction Thrust	150N	Rated Current	3.6A
Code	MX18T1.442V* MX18T1.442R	Mounting Options	V: 2"FBSP R: Guide Rail 60x60	Thermal Protection	Yes
Construction	Cast Iron with 316 S/S Self Cleaning Propellor	Power Supply	3ph 400V - 50Hz	Humidity Probe	Yes
Propeller Diameter	210mm	Nominal Speed	1450rpm	Cable Length	10m
Weight	38kg	Rated Motor Power	1.4kW	Ingress Rating	IP68
Blade Number	2	Starting Current	15.2A		

* V: Vertical mount
 R: Rear mount

Submersible Stirrer

MX18



Dimensions and installation

S Installation - mobile

Packaging dimensions

Measurements [mm]		
A	B	C
720	370	300

	mm
Propeller diameter	210

FC Installation

SYSTEM LDV 2"
8LDV000003

SYSTEM LDV 60 ECO
8LDV000002

SYSTEM LDV 60
8LDV000001