



---

# Submersible Stirrer

MX30

---

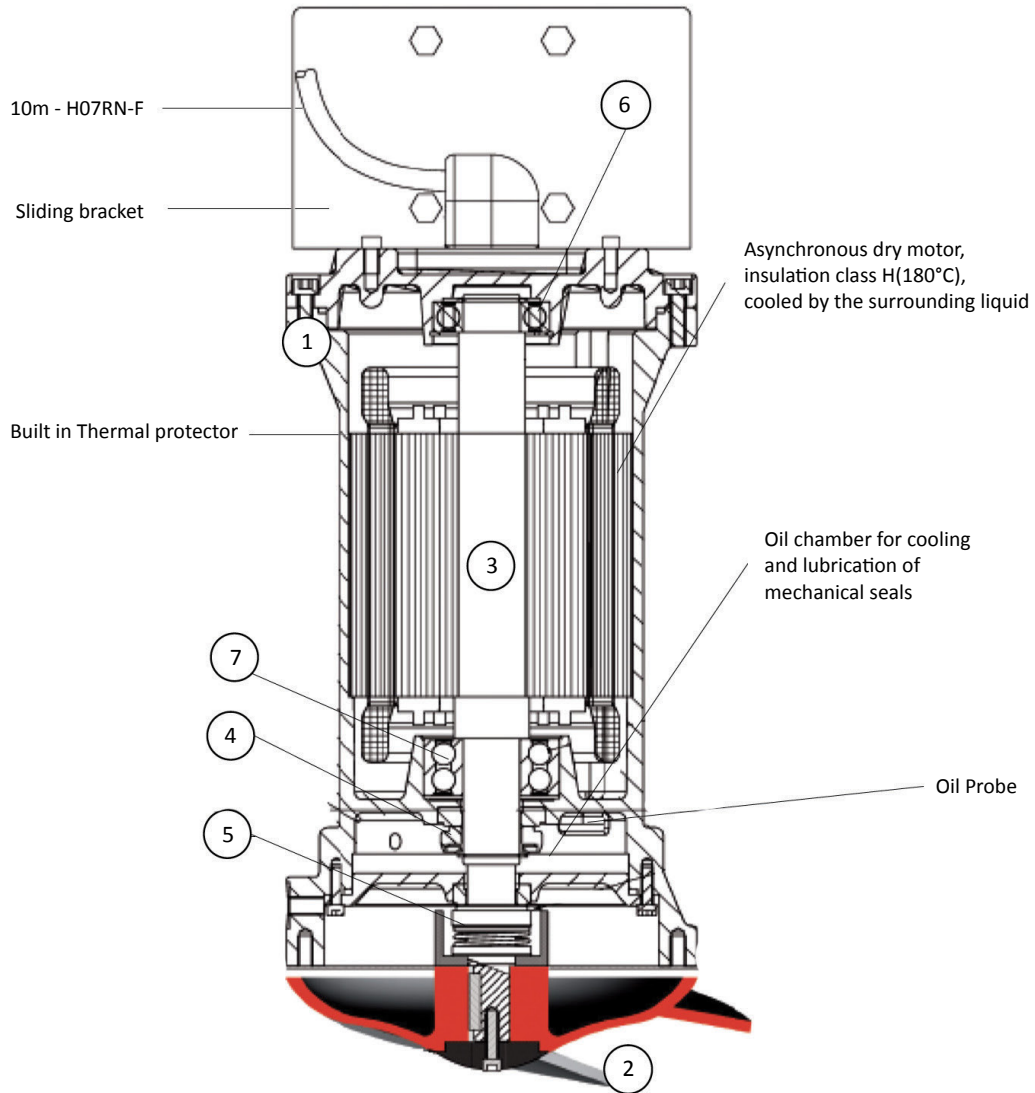


# Submersible Stirrer

## MX30



### Construction features



No.	Description	Material
1	Motor	Cast iron
2	Self cleaning propeller	AISI 316L
3	Shaft	AISI 420B
4	Upper mech. seal	SiC/Carbon/Viton
5	Lower mech. seal	SiC/SiC/Viton

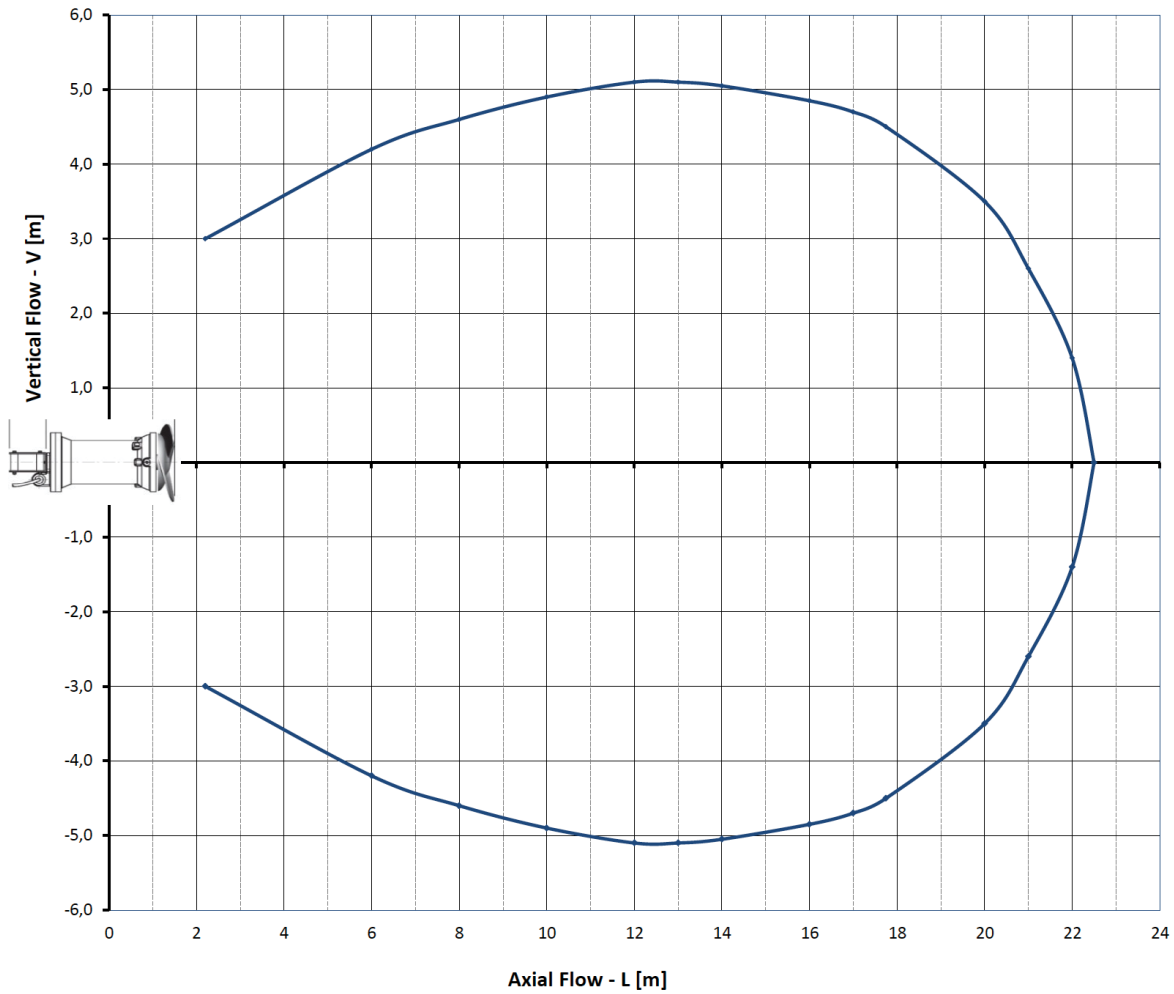
No.	Description	Material
6	Top bearing	Oversized single row bearings
7	Lower bearing	Oversized double row bearings

# Submersible Stirrer

## MX30



### Influence area



Axial Flow (L)	m	2,2	6,0	8,0	10,0	12,0	13,0	14,0	16,0	20,0	22,0		
Vert. Flow (V)	m	6,0	8,4	9,2	9,8	10,2	10,2	10,1	9,7	7,0	2,8		

### Specifications

Stirrer Type	MX30
Code	MX30T3.362R*
Construction	Cast Iron with 316 S/S Self Cleaning Propellor
Propeller Diameter	300mm
Weight	51kg
Blade Number	3
Reaction Thrust	400N

Guide Bar	60x60
Power Supply	3ph 400V - 50Hz
Nominal Speed	1000rpm
Rated Motor Power	3.3kW
Starting Current	40A
Rated Current	6.7A
Thermal Protection	Yes

Humidity Probe	Yes
Cable Length	10m
Ingress Rating	IP68

\* R: Rear mount

# Submersible Stirrer

## MX30



### Dimensions and installation

**S** Installation mobile

MX.51

	mm
Propeller diameter	300

Packaging dimensions

Measures [mm]

A	B	C
---	---	---

**FC** Installation

LDV. 60    8LDV00001

GUIDE RAIL : 60 mm

Guide rail not supplied