



Submersible Stirrer

MX40

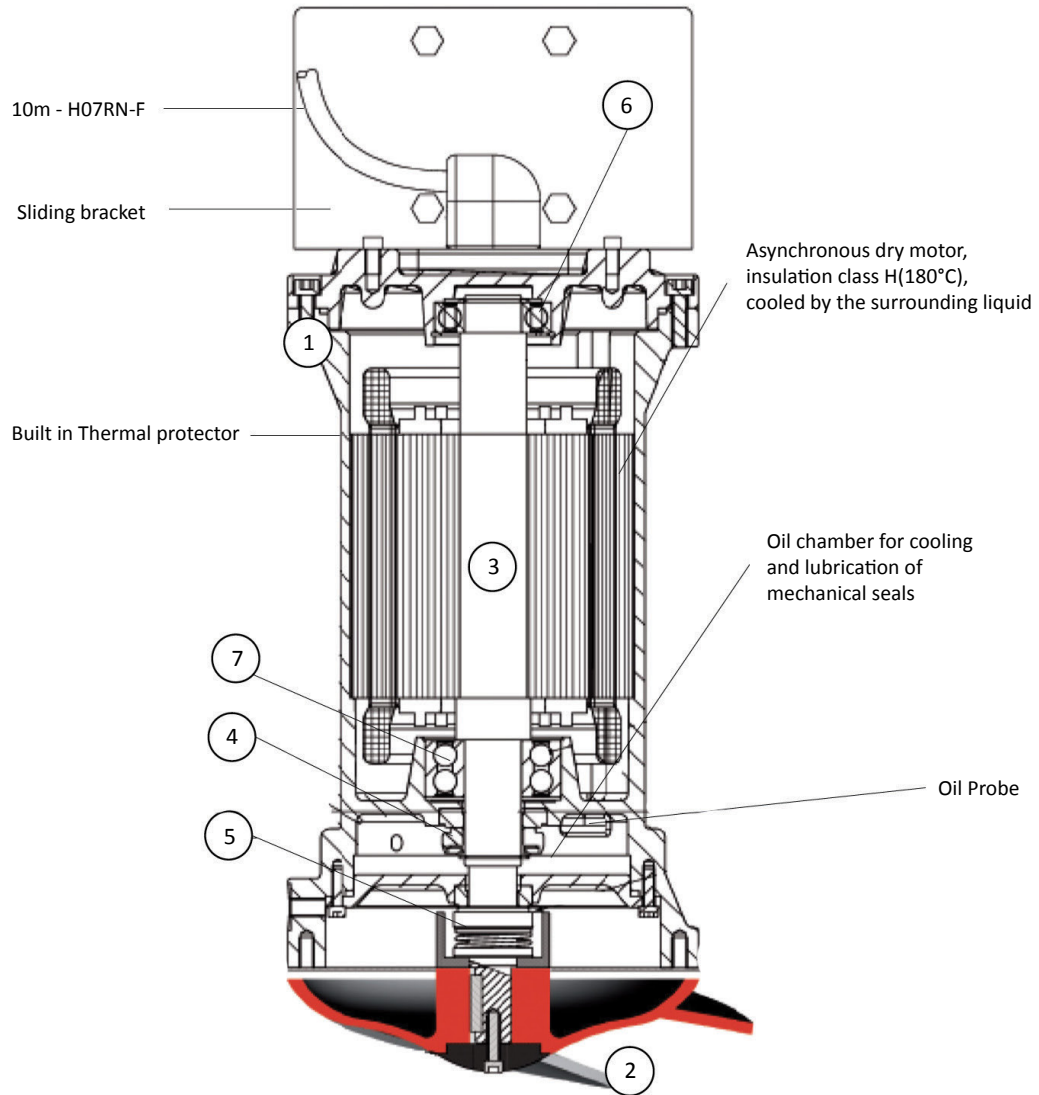


Submersible Stirrer

MX40



Construction features



No.	Description	Material
1	Motor	Cast iron
2	Self cleaning propeller	AISI 316L
3	Shaft	AISI 420B
4	Upper mech. seal	SiC/Carbon/Viton
5	Lower mech. seal	SiC/SiC/Viton

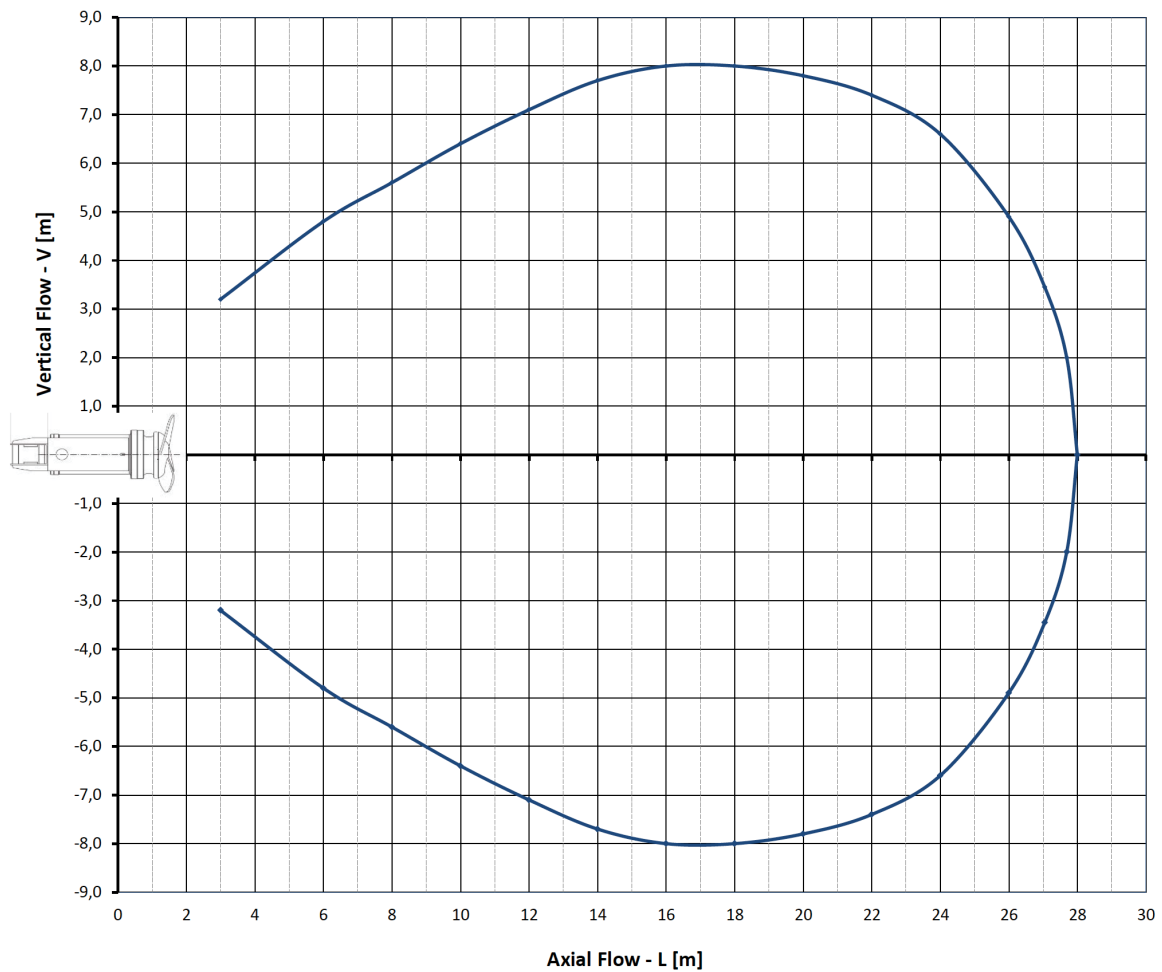
No.	Description	Material
6	Top bearing	Oversized single row bearings
7	Lower bearing	Oversized double row bearings

Submersible Stirrer

MX40



Influence area



Axial Flow (L)	m	3,0	6,0	8,0	10,0	12,0	14,0	16,0	18,0	22,0	26,0	27,7	
Vert. Flow (V)	m	6,4	9,6	11,2	12,8	14,2	15,4	16,0	16,0	14,8	9,8	4,0	

Specifications

Stirrer Type	MX40	Guide Bar	100x100	Humidity Probe	Yes
Code	MX40T5.382R*	Power Supply	3ph 400V - 50Hz	Cable Length	10m
Construction	Cast Iron with 316 S/S Self Cleaning Propellor	Nominal Speed	750rpm	Ingress Rating	IP68
Propeller Diameter	400mm	Rated Motor Power	5.3kW	* R: Rear mount	
Weight	147kg	Starting Current	70A		
Blade Number	3	Rated Current	11.5A		
Reaction Thrust	830N	Thermal Protection	Yes		

Submersible Stirrer

MX40



Dimensions and installation

S Installation mobile

Packaging dimensions		
Measures [mm]		
A	B	C

	mm
Propeller diameter	400

FC Installation

LDV. 100 8LDV00004

GUIDE RAIL : 100 mm

Guide rail not supplied